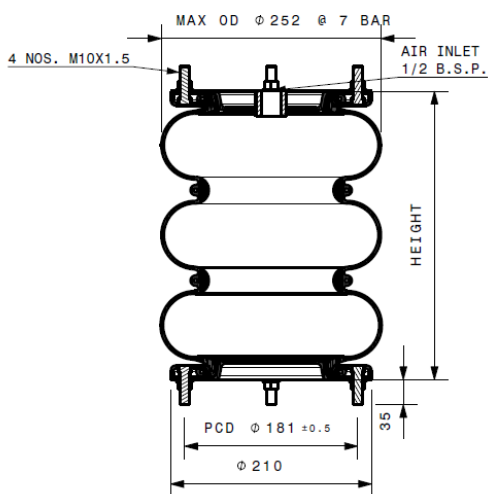
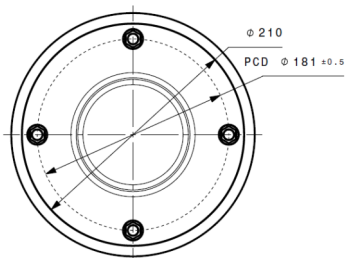


Top View



Section View



Bottom View

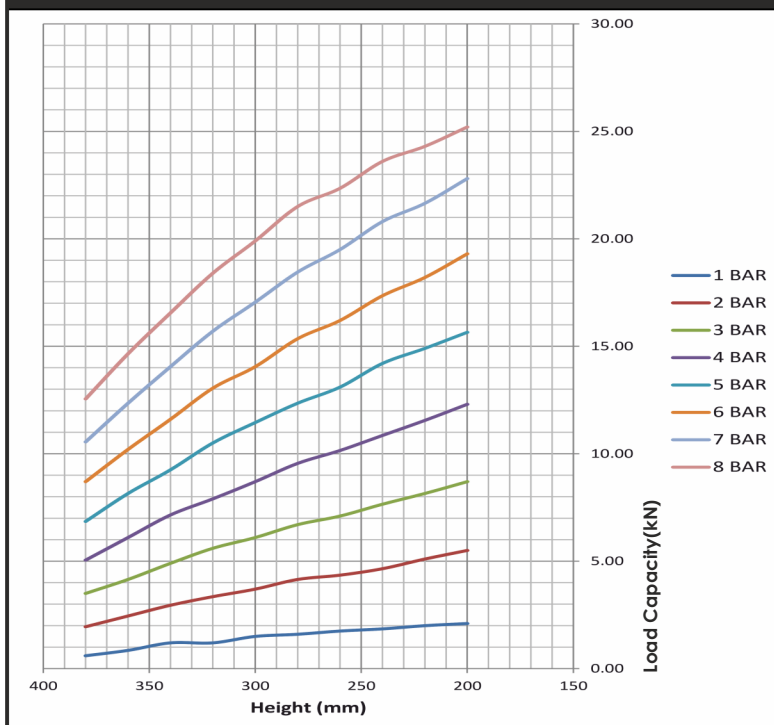
Technical Data

Part Description: D-Series convolute type complete assembly
Free Height: 410mm
Minimum Recommended Height: 135mm
Design Height: 280mm
Maximum Recommended Height: 380mm
Working Stroke: 245mm
Loading Capacity @ 1 BAR @ 280mm (±5%): 1.6kN
Loading Capacity @ 7 BAR @ 280mm (±5%): 18.45kN
Maximum OD @ 7 BAR : Ø252mm
Required Space: 275mm
Weight (±0.2kg) : 6.5kg

Force (kN)

Air Pressure	1 bar	2 bar	3 bar	4 bar	5 bar	6 bar	7 bar	8 bar
260	0.60	1.95	3.50	5.05	6.85	8.70	10.55	12.55
240	0.85	2.45	4.15	6.10	8.15	10.20	12.35	14.65
220	1.20	2.95	4.90	7.15	9.25	11.60	14.05	16.55
200	1.20	3.35	5.60	7.90	10.50	13.05	15.70	18.40
180	1.50	3.70	6.10	8.70	11.45	14.05	17.05	19.90
160	1.60	4.15	6.70	9.55	12.35	15.35	18.45	21.50
140	1.75	4.35	7.10	10.15	13.10	16.20	19.50	22.35
120	1.85	4.65	7.65	10.85	14.20	17.35	20.80	23.60
100	2.00	5.10	8.15	11.55	14.90	18.20	21.65	24.30
80	2.10	5.50	8.70	12.30	15.65	19.30	22.80	25.20

Static Characteristics



CROSS REFERENCE

Gibraltar	Firestone	Contitech	Oria
G10X3	10X3	FS 210-32 DS	D10X3