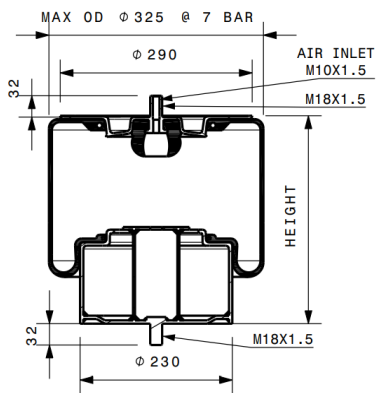
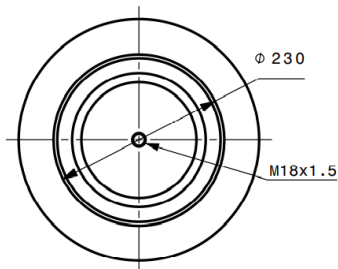


Top View



Section View



Bottom View

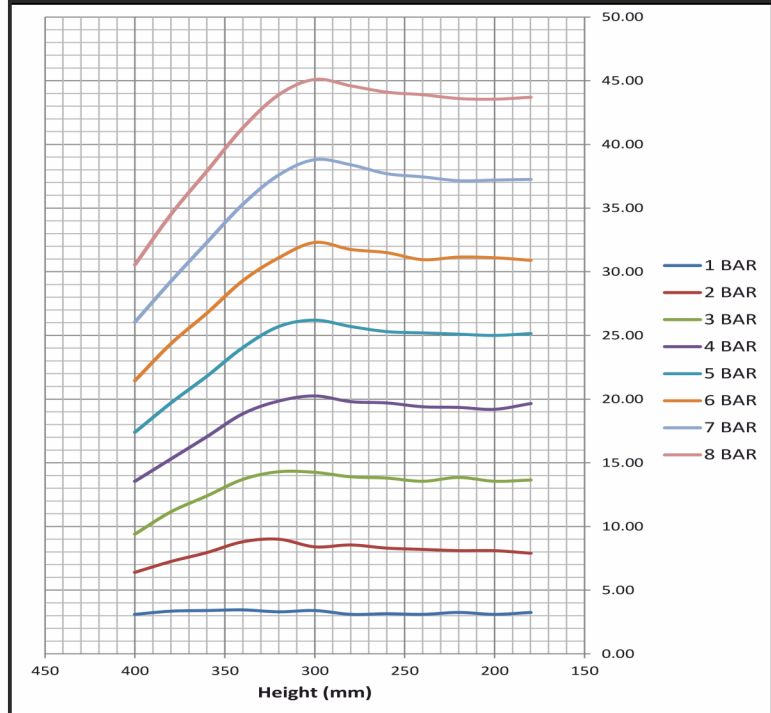
Technical Data

Part Description: Snap fitted rolling lobe type complete assembly
Bellow Height: 335mm
Minimum Recommended Height: 180mm
Design Height: 275mm
Maximum Recommended Height: 400mm
Working Stroke: 220mm
Loading Capacity @ 1 BAR @ 275mm (±5%): 3.1kN
Loading Capacity @ 7 BAR @ 275mm (±5%): 37.80kN
Maximum OD @ 7 BAR : Ø325mm
Required Space: 355mm
Weight (±0.2kg) : 8.2kg

Force (kN)

Air Pressure	1 bar	2 bar	3 bar	4 bar	5 bar	6 bar	7 bar	8 bar
400	3.10	6.40	9.40	13.55	17.40	21.45	26.05	30.55
380	3.35	7.25	11.15	15.30	19.70	24.35	29.25	34.50
360	3.40	7.95	12.40	17.05	21.80	26.75	32.30	37.90
340	3.45	8.80	13.70	18.85	24.05	29.30	35.30	41.30
320	3.30	9.00	14.30	19.85	25.70	31.10	37.60	43.90
300	3.40	8.40	14.25	20.25	26.20	32.30	38.80	45.10
280	3.10	8.55	13.90	19.80	25.70	31.75	38.40	44.60
260	3.15	8.30	13.80	19.70	25.30	31.50	37.70	44.10
240	3.10	8.20	13.55	19.40	25.20	30.95	37.45	43.90
220	3.25	8.10	13.85	19.35	25.10	31.15	37.15	43.60
200	3.10	8.10	13.55	19.20	25.00	31.10	37.20	43.55
180	3.25	7.90	13.65	19.65	25.15	30.90	37.25	43.70

Graph



CROSS REFERENCE

Gibraltar	Firestone	Contitech	Volvo	Leyland/ Wheels India
G7150087	1R1C 335 310 (W01-095-0087)	715 N	NA	NA