

# G66G198

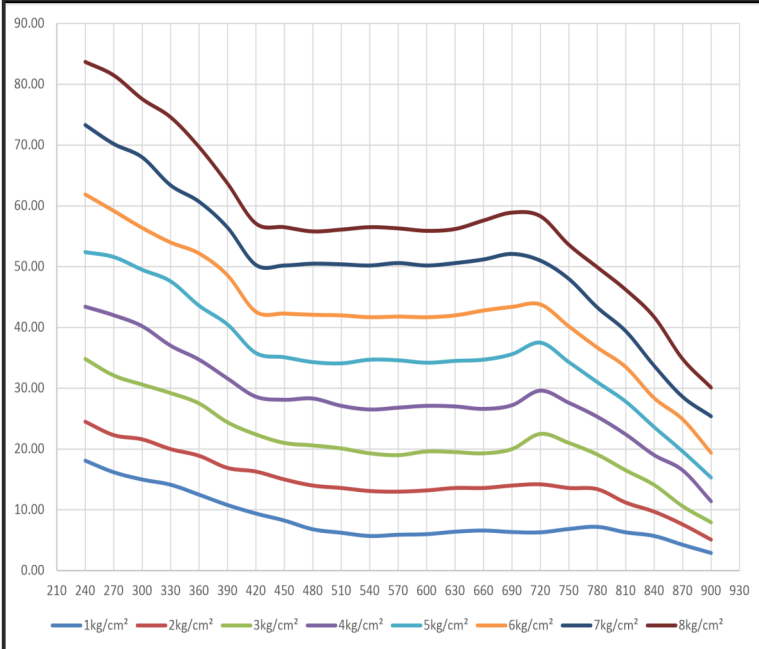
## Technical Data

Part Description: Crimped reversible sleeve complete assembly
Maximum Height: 940mm
Maximum Recommended Height: 920mm
Design Height Range: 610-660mm
Minimum Recommended Height: 365 mm
Minimum Height: 245 mm
Working Stroke: 555mm
Load Capacity @ 7 BAR @ 635mm (±5%): 50.0kN
Maximum OD @ 7 BAR : Ø373 mm
Required Space: 400mm

## Force (kN)

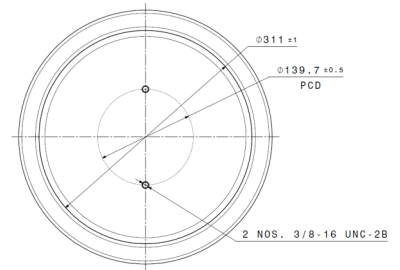
Air Pressure Height (mm)	1 bar	2 bar	3 bar	4 bar	5 bar	6 bar	7 bar	8 bar
900	2.90	5.10	7.95	11.40	15.30	19.40	25.40	30.10
870	4.25	7.60	10.60	16.50	19.60	24.90	28.60	34.80
840	5.70	9.70	14.10	19.00	23.60	28.40	33.70	41.70
810	6.30	11.20	16.50	22.40	27.80	33.50	39.40	46.20
780	7.20	13.40	19.10	25.30	31.00	36.70	43.30	49.90
750	6.85	13.60	21.00	27.60	34.30	40.20	48.00	53.60
720	6.30	14.20	22.50	29.60	37.50	43.80	51.00	58.30
690	6.35	14.00	20.00	27.20	35.60	43.40	52.10	58.90
660	6.60	13.60	19.30	26.60	34.70	42.80	51.20	57.60
630	6.40	13.60	19.50	27.00	34.50	42.00	50.60	56.20
600	6.00	13.20	19.60	27.10	34.20	41.70	50.20	55.90
570	5.90	13.00	19.00	26.80	34.60	41.80	50.60	56.30
540	5.70	13.10	19.30	26.50	34.70	41.70	50.20	56.50
510	6.23	13.60	20.10	27.10	34.10	42.00	50.40	56.10
480	6.80	14.00	20.60	28.30	34.30	42.10	50.50	55.80
450	8.24	15.00	21.00	28.10	35.10	42.30	50.20	56.50
420	9.40	16.30	22.40	28.60	35.80	42.60	50.30	57.10
390	10.80	16.90	24.40	31.60	40.50	48.60	56.45	63.70
360	12.50	18.90	27.50	34.70	43.60	52.20	60.70	69.70
330	14.14	20.00	29.20	37.00	47.60	54.00	63.40	74.60
300	15.00	21.60	30.60	40.20	49.50	56.40	68.00	77.60
270	16.20	22.30	32.10	42.00	51.60	59.20	70.20	81.50
240	18.10	24.50	34.80	43.40	52.40	61.90	73.30	83.70

## Graph

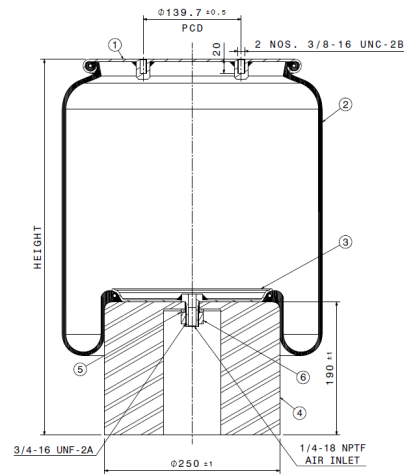


## CROSS REFERENCE

Gibraltar	Firestone	Contitech	Volvo	Leyland/ Wheels India
G66G198	1T66D-19.8	NA	NA	NA

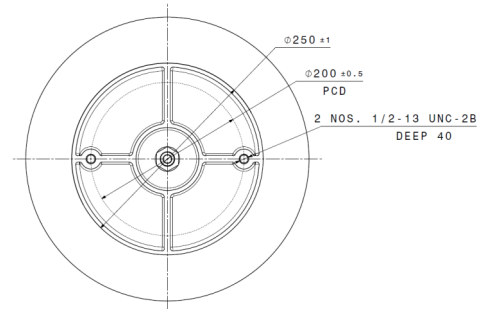


Top View



Section View B-B

Section View



Bottom View