

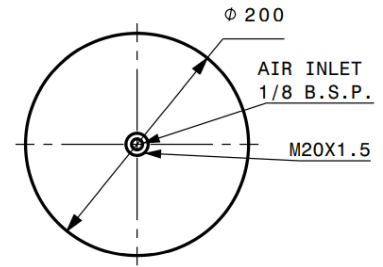
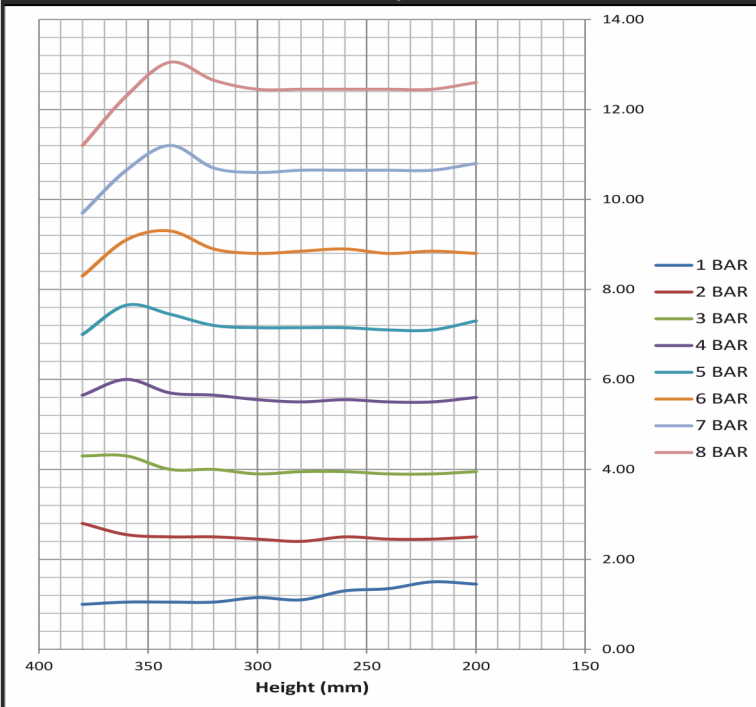
Technical Data

| |
|---|
| Part Description: Snap fitted rolling lobe type complete assembly |
| Bellow Height: 400mm |
| Minimum Recommended Height: 180mm |
| Design Height: 260mm |
| Maximum Recommended Height: 380mm |
| Working Stroke: 200mm |
| Loading Capacity @ 1 BAR @ 260mm (±5%): 1.3kN |
| Loading Capacity @ 7 BAR @ 260mm (±5%): 10.65kN |
| Maximum OD @ 7 BAR : $\phi 165$ mm |
| Required Space: 220mm |
| Weight (±0.2kg) : 4.2kg |

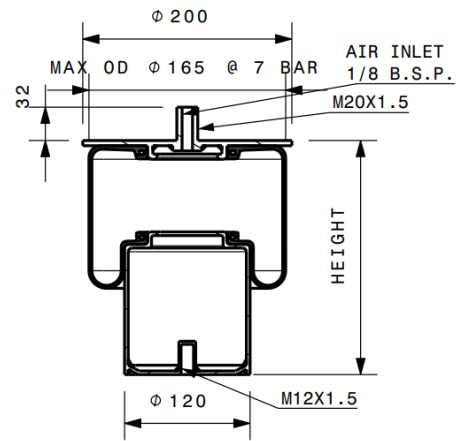
Force (kN)

| Air Pressure Height (mm) | 1 bar | 2 bar | 3 bar | 4 bar | 5 bar | 6 bar | 7 bar | 8 bar |
|-----------------------------|-------|-------|-------|-------|-------|-------|-------|-------|
| 380 | 1.00 | 2.80 | 4.30 | 5.65 | 7.00 | 8.30 | 9.70 | 11.20 |
| 360 | 1.05 | 2.55 | 4.30 | 6.00 | 7.65 | 9.10 | 10.65 | 12.30 |
| 340 | 1.05 | 2.50 | 4.00 | 5.70 | 7.45 | 9.30 | 11.20 | 13.05 |
| 320 | 1.05 | 2.50 | 4.00 | 5.65 | 7.20 | 8.90 | 10.70 | 12.65 |
| 300 | 1.15 | 2.45 | 3.90 | 5.55 | 7.15 | 8.80 | 10.60 | 12.45 |
| 280 | 1.10 | 2.40 | 3.95 | 5.50 | 7.15 | 8.85 | 10.65 | 12.45 |
| 260 | 1.30 | 2.50 | 3.95 | 5.55 | 7.15 | 8.90 | 10.65 | 12.45 |
| 240 | 1.35 | 2.45 | 3.90 | 5.50 | 7.10 | 8.80 | 10.65 | 12.45 |
| 220 | 1.50 | 2.45 | 3.90 | 5.50 | 7.10 | 8.85 | 10.65 | 12.45 |
| 200 | 1.45 | 2.50 | 3.95 | 5.60 | 7.30 | 8.80 | 10.80 | 12.60 |

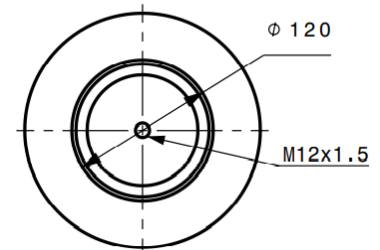
Graph



Top View



Section View



Bottom View

CROSS REFERENCE

| Gibraltar | Firestone | Contitech | Volvo | Leyland/ Wheels India |
|------------|-----------|-----------|-------|-----------------------|
| G380120075 | NA | NA | NA | NA |